

KNIFE GATE VALVE – VGU25 (Rev. 02/2021)

Quality

- ISO 9001 Certificated Company
- CRC Petrobras Certification and Qualification of Company and Products

Main Features

- Function: On/off or control
- Construction: MSS-SP 135 and FKB Standard
- Type: Wafer and LUG
- Size: 2" (50mm) to 24" (600mm)
- Flow: Bidirectional
- 100% Tightness
- High performance with full and coated passage

General Application

- Liquids, mass, pastes, abrasives, slurry, etc.

Maximum Pressure (Temperature between 0°C to 70°C)

DN	In.	2"	3"	4"	6"	8"	10"	12"	14"	16"	18"	20"	24"
	mm	50	80	100	150	200	250	300	350	400	450	500	600
CWP(bar)		20,6	20,6	20,6	20,6	20,6	20,6	20,6	20,6	20,6	20,6	20,6	20,6

maximum Temperature

EPDM (°C)	VITON (°C)	PTFE (°C)	METAL
-10 a 110	-30 a 200	-20 a 180	High Temperature

Internal Inspection and Testing (FKB Factory)

- **Hidrostatic:** ISO 5208 GR 3
- **Performance:** FKB Standard (a complete cycle)
- **Painting:** FKB Standard and NBR 14847
- **Visual:** FKB Standard and NBR 15185 / MSS-SP 25
- **Dimensional:** according to MSS-SP 135

Flange / Connection

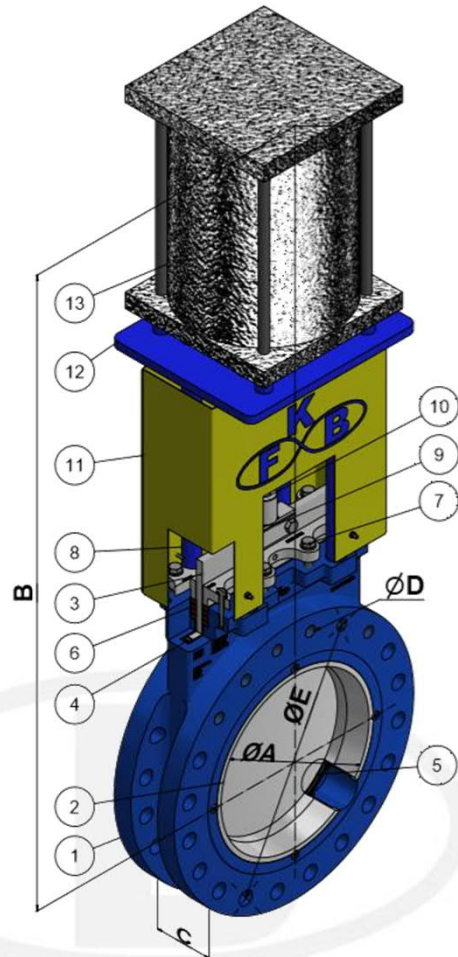
- ANSI B16.5 – 300lbs
- DIN PN25 / PN 40 / PN 50
- Others on request

Types of Drives

- Manual Steering Wheel
- Gear Box
- Pneumatic Actuator
- Hydraulic Actuator
- Electric Actuator

Optional Accessories

- Solenoid Valve
- Limit Switch
- Lubrifil Kit
- Others



Material Table

Pos.	Description	Material
1	Body	ASTM A216 WCB / ASTM A351 CF8 / ASTM A351 CF8M
2	Coating Ring	AISI 304 / AISI 316
3	Gate	AISI 304 / AISI 316
4	Perimetral Sealing	EPDM / Viton (*)
5	Facial Sealing	EPDM / Viton / PTFE or Metal
6	Superior Sealing	Synthetic Fiber with PTFE
7	Packing Preme Screws	Carbon Steel or Stainless Steel
8	Support / Column	SAE 1020
9	Fork / Stem Nut	Inox / Brass
10	Stem	AISI 410
11	Stem External Protection	Carbon Steel Sheet
12	Table	ASTM A36
13	Drive	Manual or Automatic

(*) other options on request

Dimensions Table

				DIN PN 25		ANSI B16.5 300 lbs		
		A	B (*)	C	ØD	ØE	ØD	ØE
Pol.	mm	mm	mm	mm	Nº - M-1	mm	Nº - M-1	Pol.
2"	50	612	69,8		04 - M16	125	08 - 5/8" UNC	5"
3"	80	730	101,6		08 - M16	160	08 - 3/4" UNC	6.3/8"
4"	100	812	104,6		08 - M20	190	08 - 3/4" UNC	7. 7/8"
6"	150	950	104,6		08 - M24	250	12 - 3/4" UNC	10. 5/8"
8"	200	1.095	117,6		12 - M24	310	12 - 7/8" UNC	13"
10"	250	1.180	136,6		12 - M27	370	16 - 1" UNC	15. 1/4"
12"	300	1.230	143,0		16 - M27	430	16 - 1. 1/2" UNC	17. 3/4"
14"	350	1.280	158,8		16 - M30	490	20 - 1. 1/2" UNC	20. 1/4"
16"	400	1.360	168,4		16 - M33	550	20 - 1. 1/4" UNC	22. 1/2"
18"	450	1.450	177,8		20 - M33	600	24 - 1. 1/4" UNC	24. 3/4"
20"	500	1.540	189,0		20 - M33	660	24 - 1. 1/4" UNC	27"
24"	600	1.630	215,9		20 - M36	770	24 - 1. 5/8" UNC	32"

Notes:

1. (*) Measure "B" under consultation for other types of drives;
2. Measures subject to change without notice.

Read More: vendas@fkbalvulas.com.br

FKB INDÚSTRIA DE EQUIPAMENTOS LTDA.
Estrada do Akama, 1300 – Lambari | Guararema – SP | CEP 08900-000
Tel: +55 11 4693-2042 | www.fkbalvulas.com.br