

KNIFE GATE VALVE – VGU30 (Rev. 02/2021)

Quality

- ISO 9001 Certified Company
- CRC Petrobras Certification and Qualification of Company and Products
- ONIP Certified Company

Main Features

- Function: On/Off and Control
- Construction: MSS-SP 81
- Type: Wafer and Semi LUG
- Size: 2" (50mm) to 32" (800mm) (*)
- Flow: Bidirectional with preferential side
- Double seal system
- 100% Tightness
- Rings that line the passage protecting the body
- High performance with full and lined passage

General Application

- Pulp and Paper, Sanitation, Petrochemical, Dams, Steel, Bioenergy and etc.
- Suitable for working with low density fluids, for example: steam, gas and vacuum or high temperature and similar

Maximum Pressure (Temperature between 0°C to 70°C)

DN	In.	2"	2½"	3"	4"	5"	6"	8"	10"	12"	14"	16"	18"	20"	24"	28"	32"
	mm	50	65	80	100	125	150	200	250	300	350	400	450	500	600	700	800
	CWP(bar)	10	10	10	10	10	10	8	6	6	6	6	4	4	4	4	4

Maximum Temperature

EPDM (°C)	METAL (°C)	PTFE (°C)	VITON (°C)
-10 a 110	High Temperature	-20 a 180	-30 a 200

Internal Inspection and Testing (FKB Factory)

- **Hidrostatic:** ISO 5208 GR 3
- **Performance:** FKB Standard (a complete cycle)
- **Painting:** FKB Standard and NBR 14847
- **Visual:** FKB Standard and NBR 15185 / MSS-SP-25 / MSS-SP-81
- **Dimensional:** according MSS-SP 81

Flange / Connection

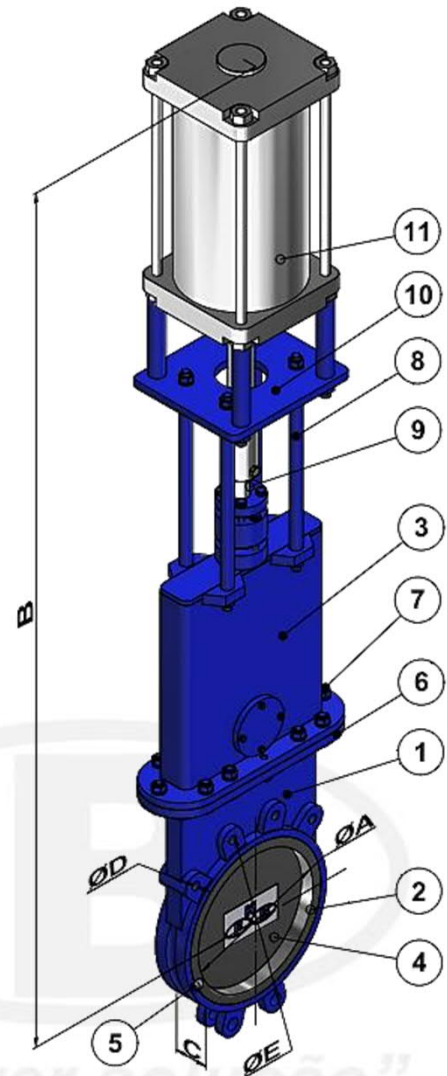
- ANSI B16.5 – 150lbs
- DIN PN10
- Others on request

Types of Drives

- Manual Steering Wheel
- Gear Box
- Pneumatic Actuator
- Hydraulic Actuator
- Electric Actuator

Optional Accessories

- Solenoid Valve
- Limit Switch
- Lubrifer Kit
- Others



Material Table

Pos.	Description	Material
1	Monoblock Body	ASTM A536 / ASTM A216 WCB/ ASTM A 351 CF8 / ASTM A 351 CF8M
2	Coating Ring	ASTM A216 WCB/ ASTM A 351 CF8 / ASTM A 351 CF8M
3	Bonnet	ASTM A216 WCB/ ASTM A 351 CF8 / ASTM A 351 CF8M (*)
4	Gate	AISI 304 / AISI 316 (*)
5	Passage Sealing	PTFE + Metal - Metal / Viton + Metal - Metal / EPDM + Metal - Metal / Metal - Metal
6	Superior Sealing	Synthetic Fiber with PTFE / Flexible Graphite
7	Packing Preme Screws	Carbon Steel / Stainless Steel
8	Support / Column	Carbon Steel
9	Stem	AISI 410
10	Table	ASTM A36
11	Drive	Manual or Automatic

Dimensions Table

		DIN PN 10		ANSI B16.5 150 lbs	
		ØD	ØE	ØD	ØE
In.	mm	Nº - M-1	mm	Nº - M-1	Inches
2"	50	04 - M16	125	04 - 5/8" UNC	4. 3/4"
2½"	65	04 - M16	145	04 - 5/8" UNC	5. 1/2"
3"	80	08 - M16	160	04 - 5/8" UNC	6"
4"	100	08 - M16	180	08 - 5/8" UNC	7. 1/2"
5"	125	08 - M16	210	08 - 3/4" UNC	8. 1/2"
6"	150	08 - M20	240	08 - 3/4" UNC	9. 1/2"
8"	200	08 - M20	295	08 - 3/4" UNC	11. 3/4"
10"	250	12 - M20	350	12 - 7/8" UNC	14. 1/4"
12"	300	12 - M20	400	12 - 7/8" UNC	17"
14"	350	16 - M20	460	12 - 1" UNC	18. 3/4"
16"	400	16 - M24	515	16 - 1" UNC	21. 1/4"
18"	450	20 - M24	565	16 - 1 1/8" UNC	22. 3/4"
20"	500	20 - M24	620	20 - 1 1/8" UNC	25"
24"	600	20 - M27	725	20 - 1 1/4" UNC	29. 1/2"
28"	700	24 - M27	840	28 - 1 1/4" UNC	34"
32"	800	24 - M30	950	28 - 1 1/2" UNC	38. 1/2"

Notes:

- (*) Measure "B" under consultation for other types of drives;
- Measures subject to change without notice.

(*) other options on request

Read More: vendas@fkbvalvulas.com.br

FKB INDÚSTRIA DE EQUIPAMENTOS LTDA.
Estrada do Akama, 1300 – Lambari | Guararema – SP | CEP 08900-000
Tel: +55 11 4693-2042 | www.fkbvalvulas.com.br