

## SPILLER PENSTOCK – VCO32 (Rev. 03/21)

### Quality

- ISO 9001 Certificated Company
- CRCC Petrobras Certification and Qualification of Company and Products
- ONIP Certification

### Main Features

- Function: On / Off and Control
- Construction: AWWA C561 and DN 19569-4
- Size: 6”(150 mm) to 80” (2000 mm) (\*)
- Flow: Bidirectional
- Fixation: Direct to Concrete or Open Channel
- Gate opening: Descending direction
- Light and Compact Gate
- Precise control of fluid flow
- Design: Square or Rectangular
- Tightness 100% higher than the norm.
- Versatile: According to customer’s needs

### General Application

- Water and sewage treatment stations, dams, dams, hydroelectric power plant, etc.
- Suitable for working with liquids in general.

### Pressure

According to customer’s needs

### Maximum Temperature

EPDM (°C)	UHMW (°C)	PTFE (°C)
-10 to 110	-269 to 90	-20 to 180

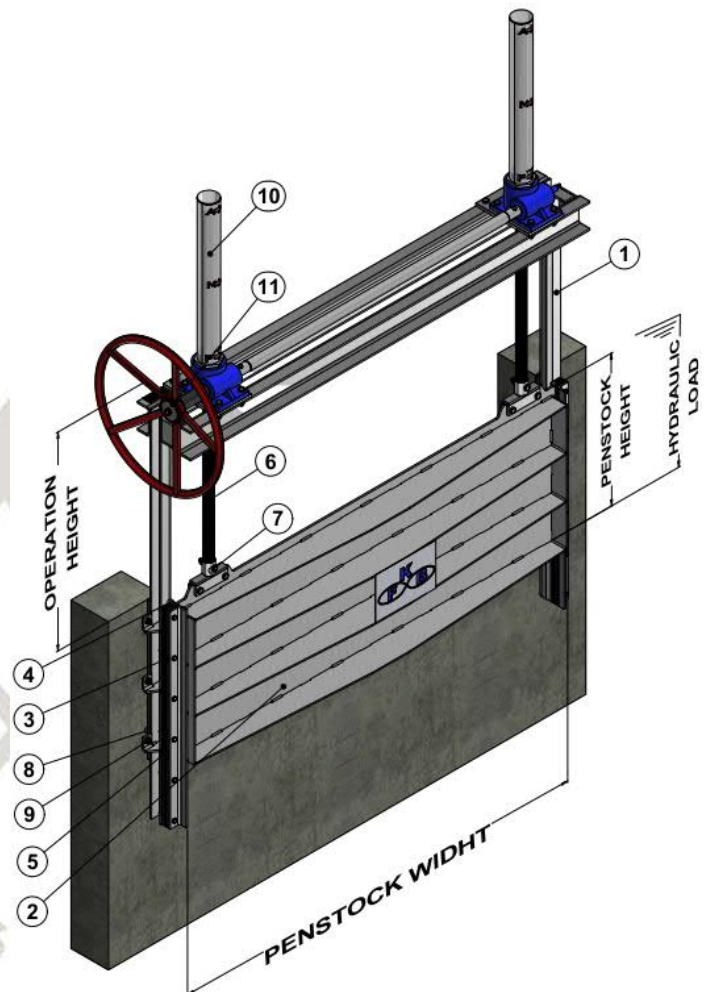
### Internal Inspection and Testing (FKB Factory)

- **Hydrostatic:** AWWA C561 and DIN 19569-4
- **Performance:** FKB Standard / AWWA C561 (a complete cycle)
- **Pintura:** FKB Standard and NBR 14847
- **Visual:** FKB Standard
- **Dimensional:** According to approved project

### Material Table

Pos.	Description	Material
1	Structural Frame	ASTM A240 TP 304 / ASTM A240 TP 316 / ASTM A36 with coating
2	Penstock	ASTM A240 TP 304 / ASTM A240 TP 316 / ASTM A36 with coating
3	Guide / Side Sealing	UHMW/PTFE (*)
4	Compression Cord	EPDM (*)
5	Bottom Sealing	UHMW/PTFE (*)
6	Drive Stem	ASTM A276 TP 410 (*)
7	Fork	AISI 304 / AISI 316
8	Wall Sealing / Settlement	EPDM (*)
9	Bolts	Chemical / Mechanical
10	Protection Tube	Transparent tube for stem protection
11	Drive	Manual / Automatic

(\*) other options on request



### Types of Drives



Manual Steering Wheel



Gear Reducer



Pneumatic Actuator



Hydraulic Actuator



Electric Actuator

### Optional Accessories:

- \* Solenoid Valve
- \* Limit-switch
- \* Lubrifil Kit
- \* Complete extension (shaft, sleeve, bearing and prisoners)
- \* Others