

## KNIFE GATE VALVE – VGU06-300 (Rev. 02/2021)

### Quality

- ISO 9001 Certificated Company
- CRC Petrobras Certification and Qualification of Company and Product

### Main Features

- Function: On/off
- Construction: MSS-SP 135
- Type: Wafer and Total LUG
- Size: 3" (80mm) to 24" (600mm)
- Flow: Bidirectional
- 100% Tightness
- High performance with full and coated passage

### General Application

- Abrasive processes / liquids, ore pulp, solids in general and similar

### Maximum Pressure (Temperature between 0°C to 70°C)

| DN | In.      | 3"   | 4"   | 6"   | 8"   | 10"  | 12"  | 14"  | 16"  | 18"  | 20"  | 24"  |
|----|----------|------|------|------|------|------|------|------|------|------|------|------|
|    | mm       | 80   | 100  | 150  | 200  | 250  | 300  | 350  | 400  | 450  | 500  | 600  |
|    | CWP(bar) | 20,6 | 20,6 | 20,6 | 20,6 | 20,6 | 20,6 | 20,6 | 20,6 | 20,6 | 20,6 | 20,6 |

### Maximum Temperature

| EPDM (°C) | VITON (°C) | NATURAL RUBBER (°C) |
|-----------|------------|---------------------|
| 110       | 200        | 72                  |

### Internal Inspection and Testing (FKB Factory)

- **Hidrostatic:** ISO 5208 GR 3
- **Performance:** FKB Standard (a complete cycle)
- **Painting:** FKB Standard and NBR 14847
- **Visual:** FKB Standard and NBR 15185 / MSS-SP-25
- **Dimensional:** according to MSS-SP 81

### Flange / Connection

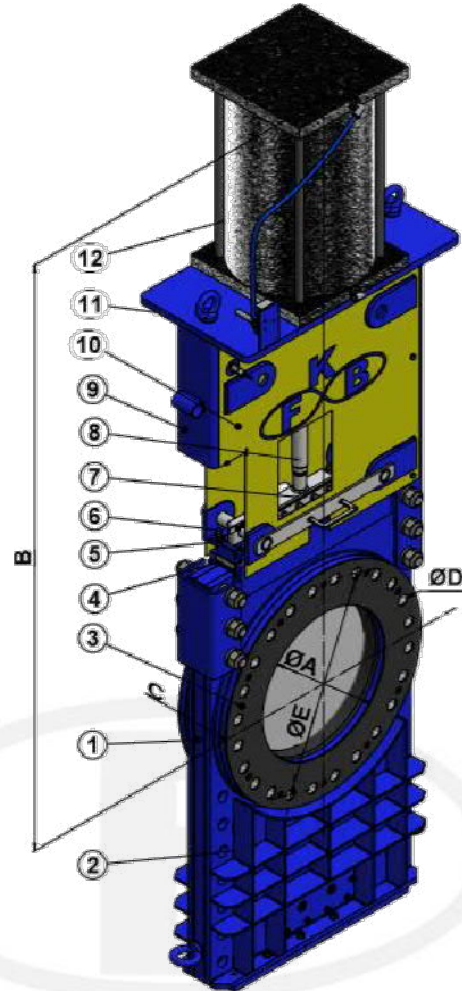
- ANSI B16.5 – 300lbs
- DIN PN25 / PN40 / PN50
- Others on request

### Types of Drives

- Manual Steering Wheel
- Gear Box
- Pneumatic Actuator
- Hydraulic Actuator
- Electric Actuator

### Optional Accessories

- Solenoid Valve
- Limit Switch
- Lubrifil Kit
- Others



### Material Table

| Pos. | Description                     | Material  |
|------|---------------------------------|---|
| 1    | Bipartite Body                  | ASTM A536                                       |
| 2    | Retention Box and Cleaning Lids | ASTM A36  |
| 3    | Interchangeable Sleeves         | Natural Rubber / EPDM / Viton / Chlorobutyl (*) |
| 4    | Superior Sealing                | Synthetic Fiber with PTFE                       |
| 5    | Gate                            | AISI 316  |
| 6    | Packing Preme Screws            | Carbon Steel                                    |
| 7    | Fork / Stem Nut                 | Stainless Steel                                 |
| 8    | Stem                            | AISI 410  |
| 9    | Suport / Column                 | ASTM A36  |
| 10   | External Stem Protection        | Carbon Steel Sheet                              |
| 11   | Table                           | ASTM A36  |
| 13   | Drive                           | Manual or Automatic                             |

(\*) other options on request

### Dimensions Table

|     |     |       |       |     | DIN PN 25 |     | ANSI B16.5 300 lbs |        |
|-----|-----|-------|-------|-----|-----------|-----|--------------------|--------|
|     |     | A     | B (*) | C   | ØD        | ØE  | ØD                 | ØE     |
| In. | mm  | mm    | mm    | mm  | Nº - M-1  | mm  | Nº - M-1           | Inches |
| 3"  | 80  | 646   | 51    | 51  | 08 - M16  | 160 | 08 - ¾" UNC        | 6. ⅝"  |
| 4"  | 100 | 716   | 51    | 51  | 08 - M20  | 190 | 08 - ¾" UNC        | 7. ⅞"  |
| 6"  | 150 | 869   | 57    | 57  | 08 - M24  | 250 | 12 - ¾" UNC        | 10. ⅝" |
| 8"  | 200 | 1.002 | 70    | 70  | 12 - M24  | 310 | 12 - ⅞" UNC        | 13"    |
| 10" | 250 | 1.131 | 70    | 70  | 12 - M27  | 370 | 16 - 1" UNC        | 15. ¼" |
| 12" | 300 | 1.258 | 76    | 76  | 16 - M27  | 430 | 16 - 1. ½" UNC     | 17. ¾" |
| 14" | 350 | 1.479 | 76    | 76  | 16 - M30  | 490 | 20 - 1. ¼" UNC     | 20. ¼" |
| 16" | 400 | 1.650 | 89    | 89  | 16 - M33  | 550 | 20 - 1. ¼" UNC     | 22. ½" |
| 18" | 450 | 1.839 | 89    | 89  | 20 - M33  | 600 | 24 - 1. ¼" UNC     | 24. ¾" |
| 20" | 500 | 1.988 | 114   | 114 | 20 - M33  | 660 | 24 - 1. ¼" UNC     | 27"    |
| 24" | 600 | 2.535 | 114   | 114 | 20 - M36  | 770 | 24 - 1. ¼" UNC     | 32"    |

### Notes:

1. (\*) Measure "B" under consultation for other types of drives;
2. Measures subject to change without notice.

Read More: [vendas@fkbsvalvulas.com.br](mailto:vendas@fkbsvalvulas.com.br)

FKB INDÚSTRIA DE EQUIPAMENTOS LTDA.  
Estrada do Akama, 1300 – Lambari | Guararema – SP | CEP  
08900-000 Tel: +55 11 4693-2042 | [www.fkbsvalvulas.com.br](http://www.fkbsvalvulas.com.br)