

## DIVERTER VALVE (2 Outputs) – VD02 (Rev. 06/2021)

### Quality

- ISO 9001 Certificated Company
- CRCC Petrobras Certification and Qualification of Company and Products
- ONIP Certification

### Main Features

- Function: Deflect a material from one direction to another through gravitational flux
- Construction: API 590 and FKB Standard
- Type: Flanged
- Size: 6" (150mm) to 36" (900mm) (\*)
- Flow: Unidirectional
- 100% tightness
- Flange: Circular, Square or Rectangular;
- Settings available in (Y, T and R);
- Simple maintenance;
- Access cover which allows inspection or maintenance without removing the valve from the process

### General Application

- Processes with fines in general, coal fines, coal in fragments, granules in general, sugar, salt, abrasives, corrosives, sanitary and similar

### Maximum Temperature

EPDM (°C)	UHMW (°C)	PTFE (°C)	VITON (°C)
-10 to 110	-269 to 90	-20 to 180	-30 to 200

### Internal Inspection and Testing (FKB Factory)

- **Hydrostatic:** ISO 5208 GR 3
- **Performance:** FKB Standard (a complete cycle)
- **Painting:** FKB Standard and NBR 14847
- **Visual:** FKB Standard and NBR 15185 / MSS-SP-25
- **Dimensional:** according project

### Flange /; Connection

- ANSI B16.5 – 150lbs
- DIN PN10
- Others on request

### Optional Accessories

- Solenoid Valve
- Limit Switch
- Lubrifil Kit
- Cleaning Cover
- Cleaning Cover Seal
- Others

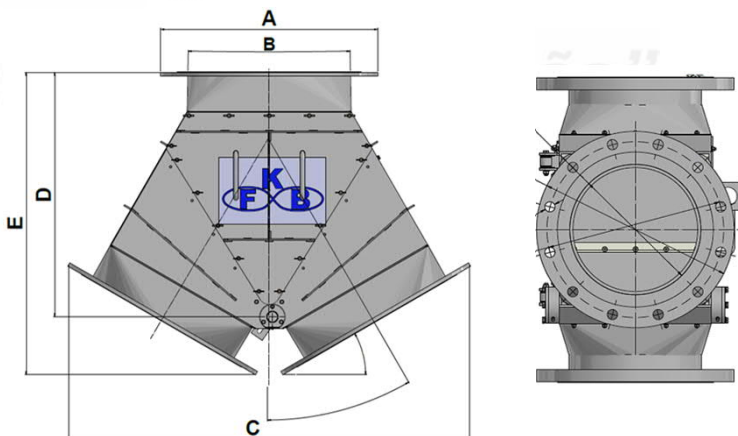
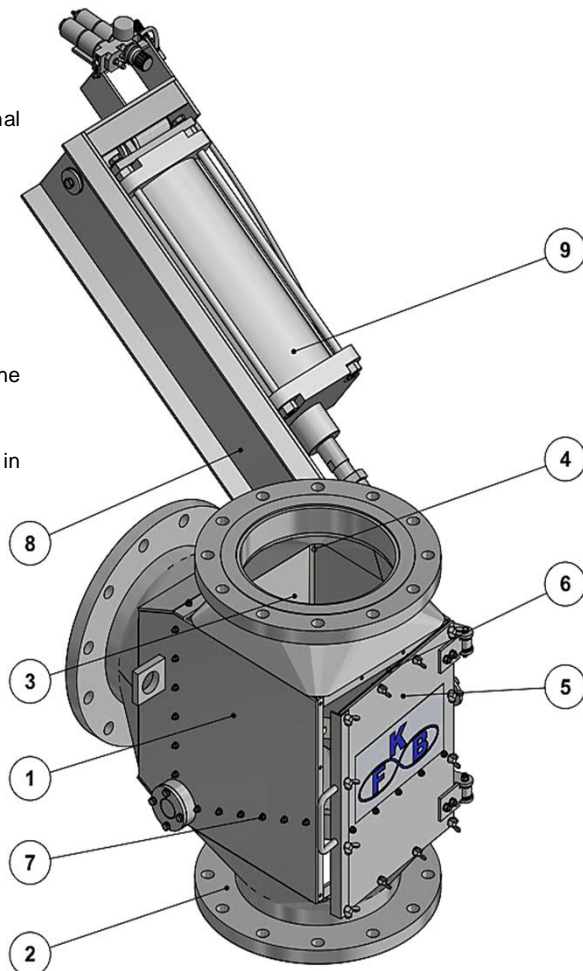
### Types of Drives

- Lever
- Pneumatic Actuator
- Hydraulic Actuator
- Electric Actuator

### Material Table

Pos.	Description	Material
1	Body	ASTM A240 TP 304 / ASTM A240 TP 316 / ASTM A36 with coating
2	Flange	ASTM A240 TP 304 / ASTM A240 TP 316 / ASTM A36 with coating
3	Knife	ASTM A240 TP 304 / ASTM A240 TP 316 / ASTM A36 with coating
4	Face Sealing	EPDM/ VITON/ UHMW/PTFE (*)
5	Protection Cover	ASTM A240 TP 304 / ASTM A240 TP 316 / ASTM A36 with coating
6	Protection Cover Sealing	EPDM / VITON (*)
7	Bolts and Nuts	AISI 304/ AISI 3016
8	Actuator Support	ASTM A240 TP 304 / ASTM A240 TP 316 / ASTM A36 with coating
9	Drive	Manual (Lever) or Automatic

(\*) other options on request



### Dimensions Table

SQUARE PASSAGE		CIRCLE PASSAGE		DIMENSIONS			DRILLING	DRILLING CENTER	ANGLE
Side 1	Side 2	ØA	ØB	C	D	E	ØF	G	±H
mm	mm	mm	mm	mm	mm	mm			

Learn More: [vendas@fkbbalvulas.com.br](mailto:vendas@fkbbalvulas.com.br)

FKB INDÚSTRIA DE EQUIPAMENTOS LTDA.  
Estrada do Akama, 1300 – Lambari | Guararema – SP | CEP 08900-000  
Tel: +55 11 4693-2042 | [www.fkbbalvulas.com.br](http://www.fkbbalvulas.com.br)